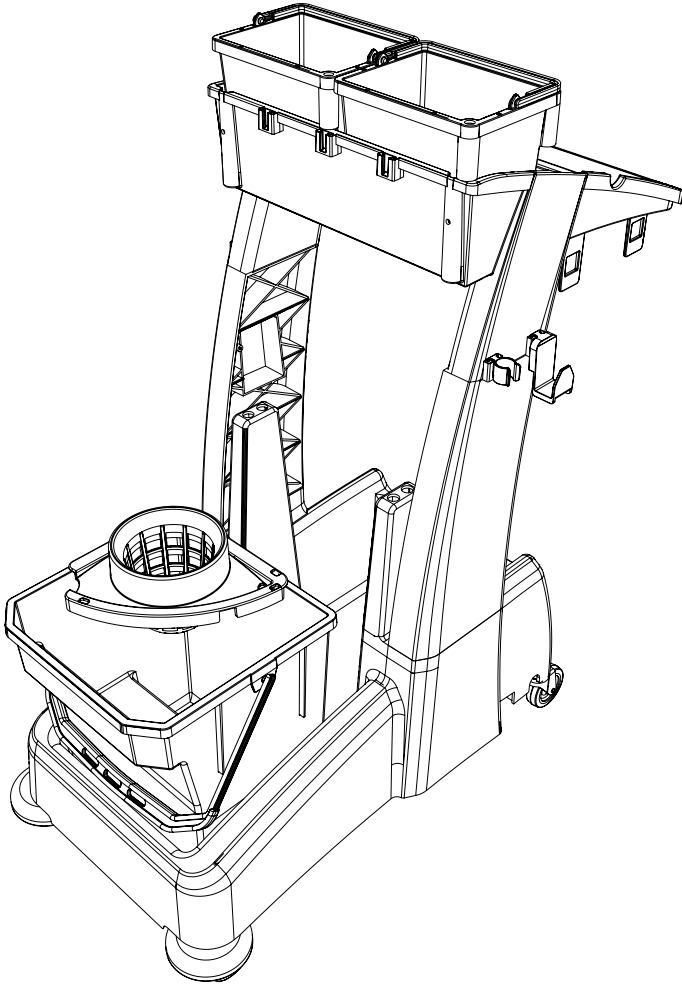
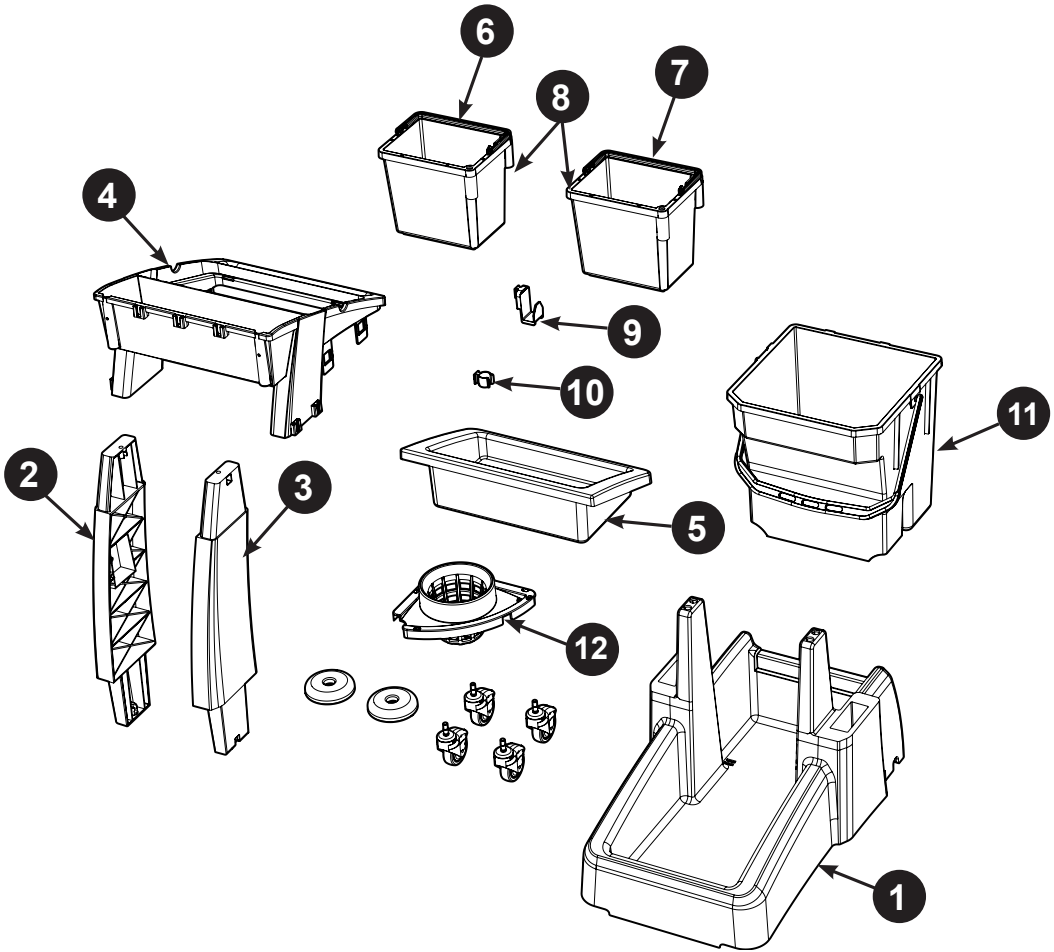
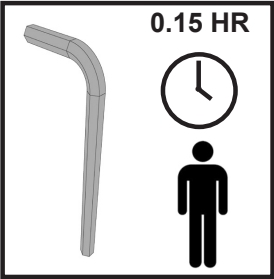


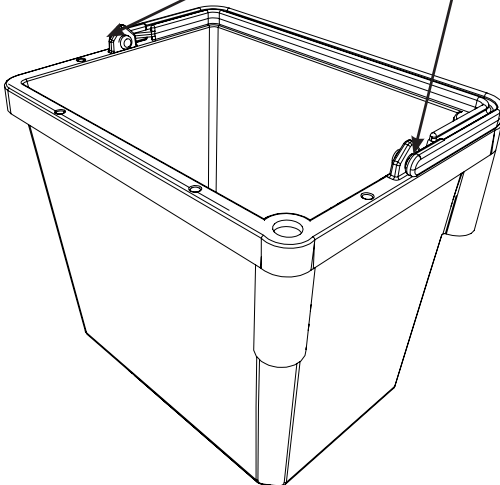
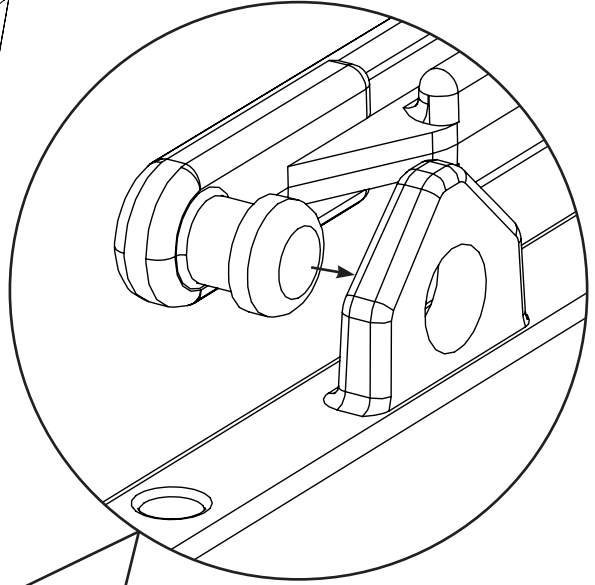
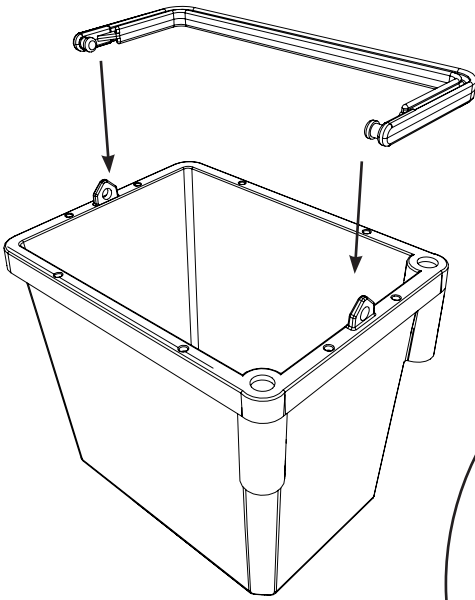
MM-1 Trolley Assembly



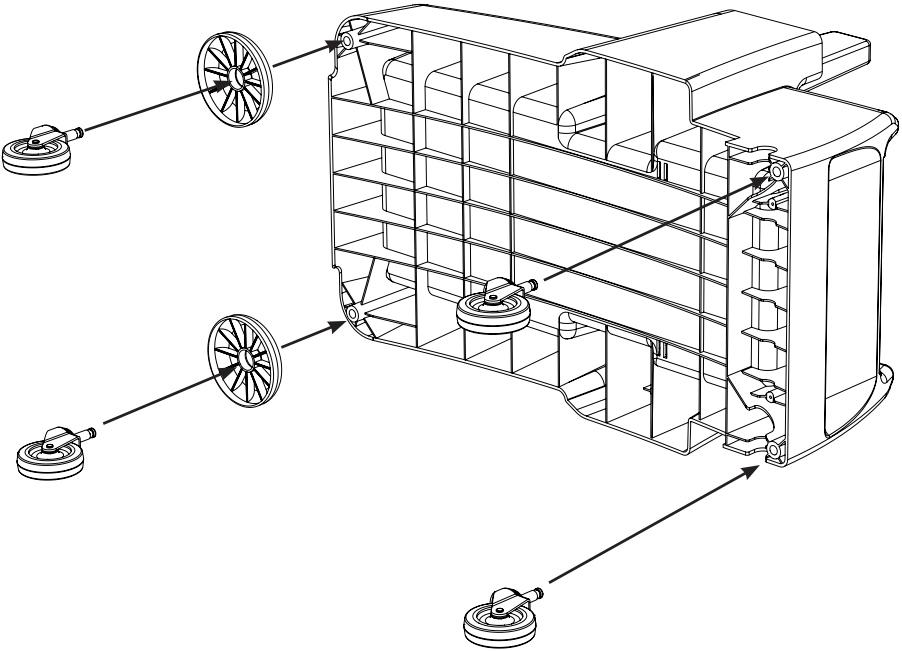
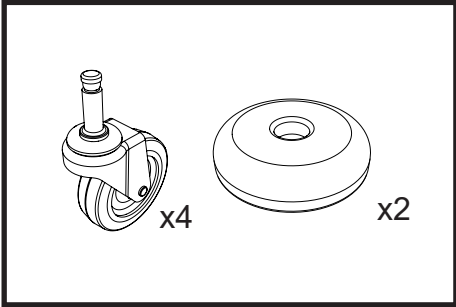
Numatic



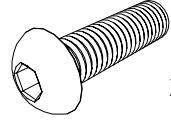
Item	Description	Quantity
1	Reflo Base	1
2	Left Hand Upright	1
3	Right Hand Upright	1
4	Handle Frame	1
5	Top Tray	1
6	Red Handle	1
7	Blue Handle	1
8	5 Litre Bucket	2
9	Versaclean Hook T Slot	1
10	22mm Mid Mop Clamp	1
11	28 Litre Bucket- Blue Handle	1
12	Twistmop Wringer	1



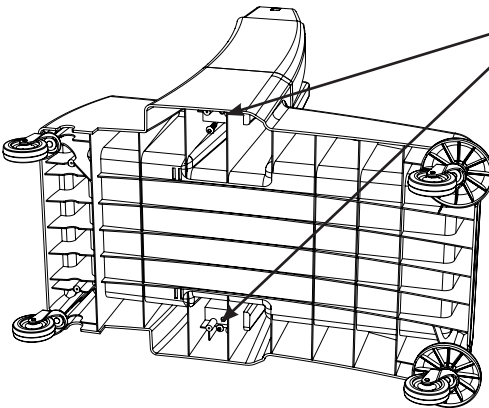
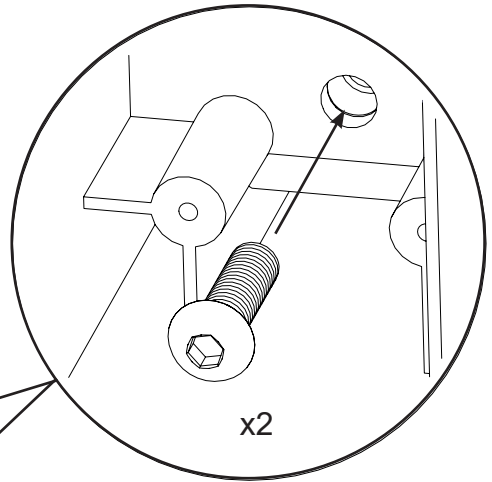
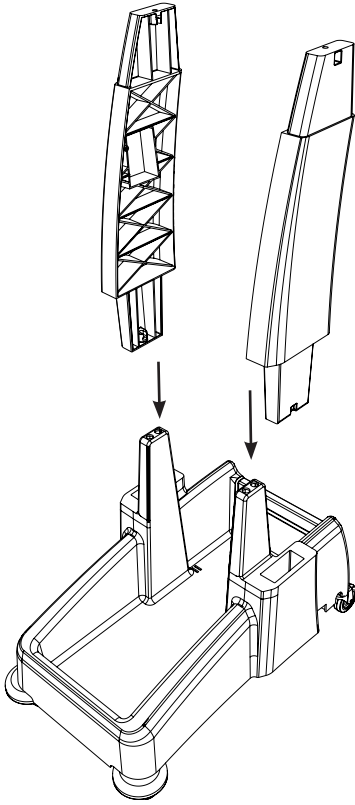
x2

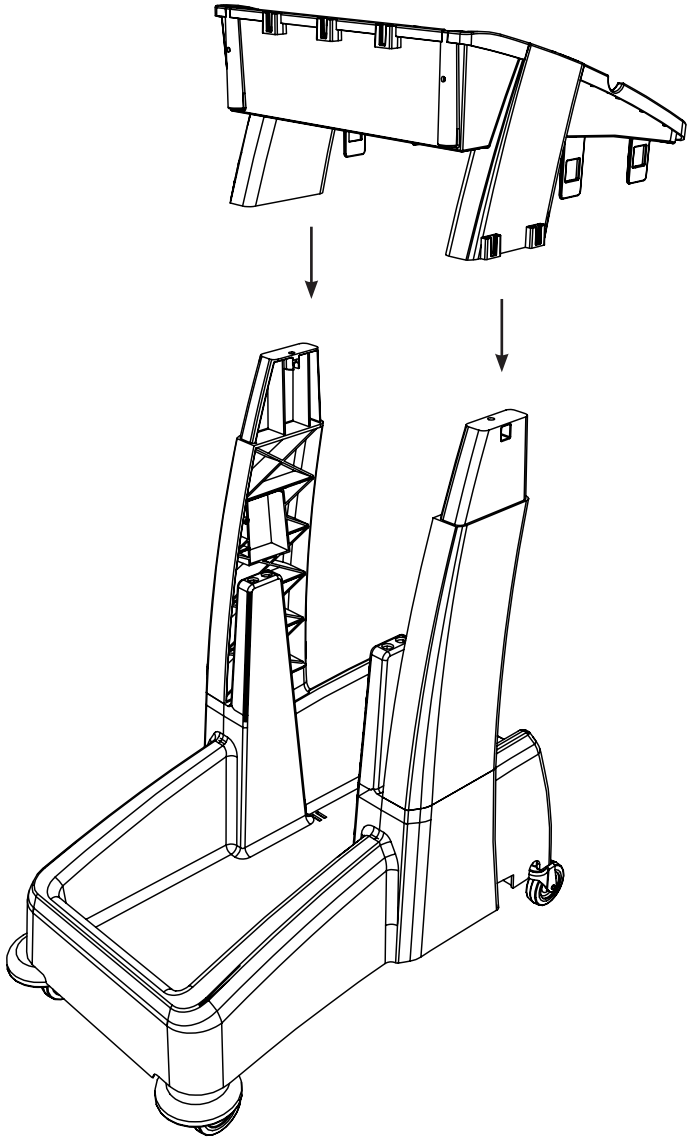


M8 25mm Socket Bolt

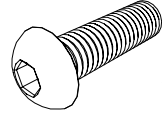


x2

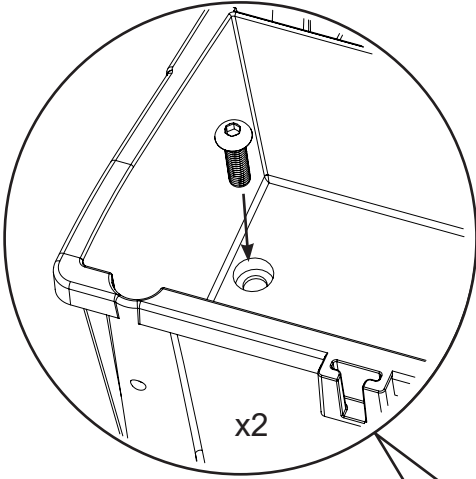




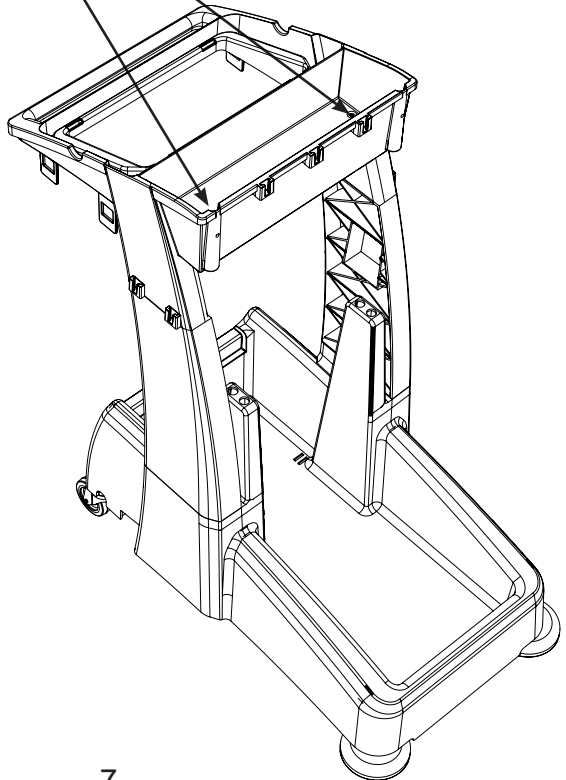
M8 25mm Socket Bolt

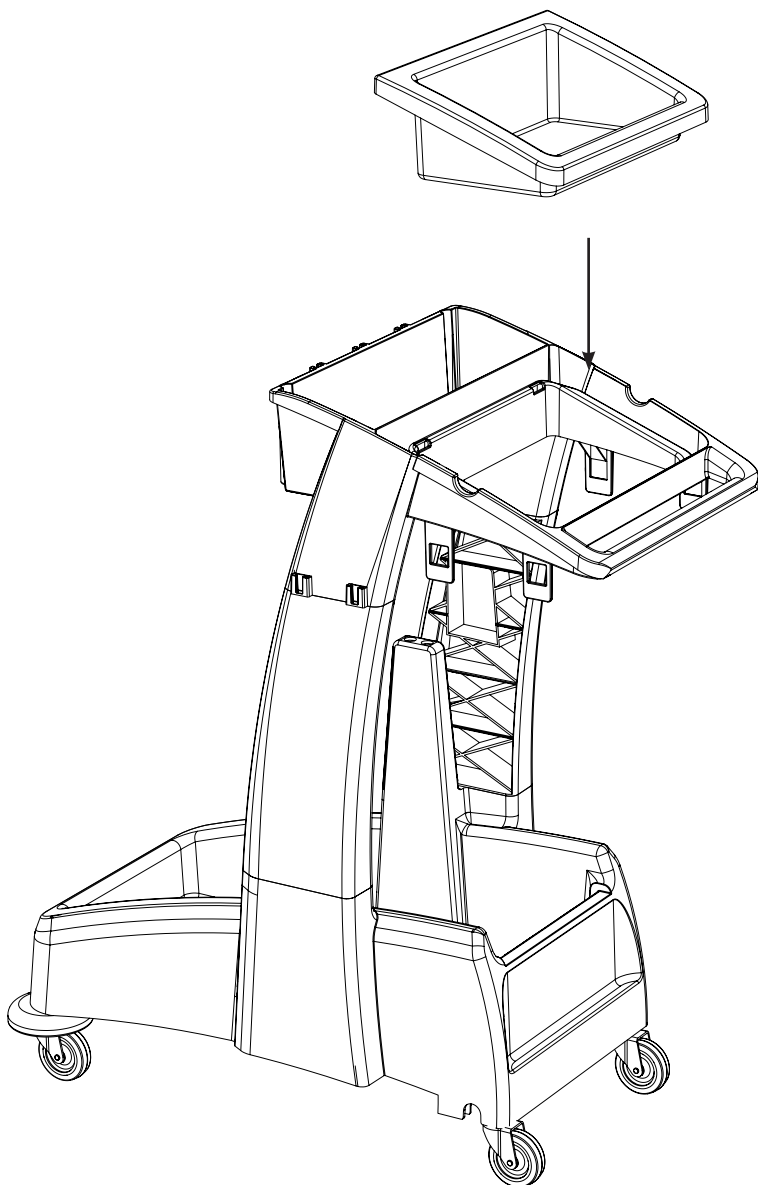


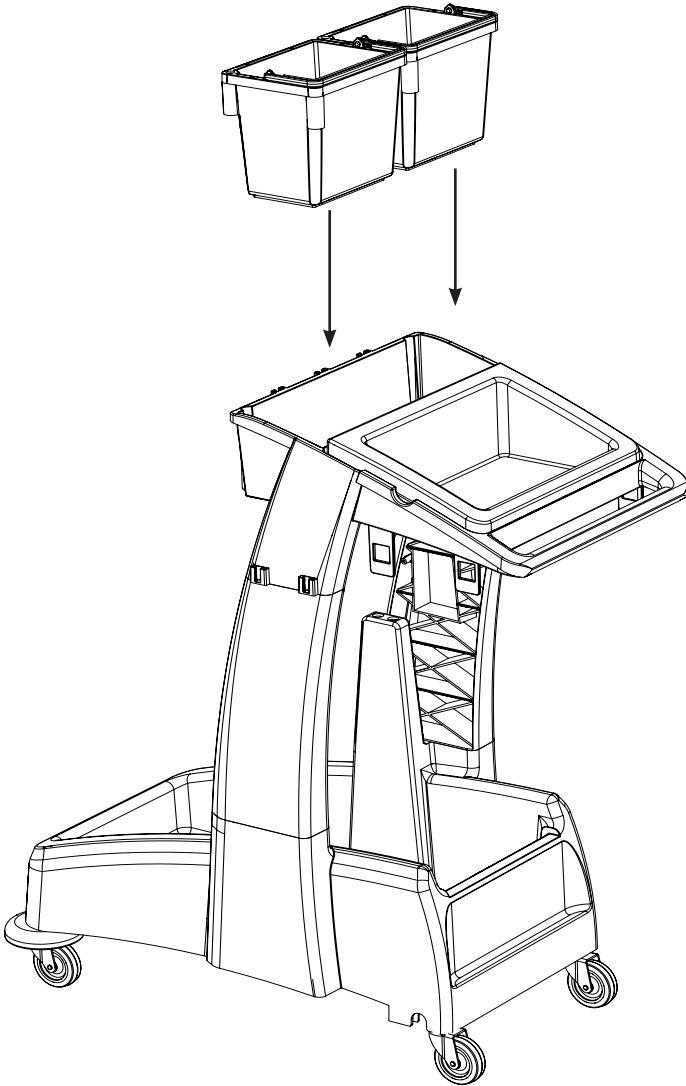
x2

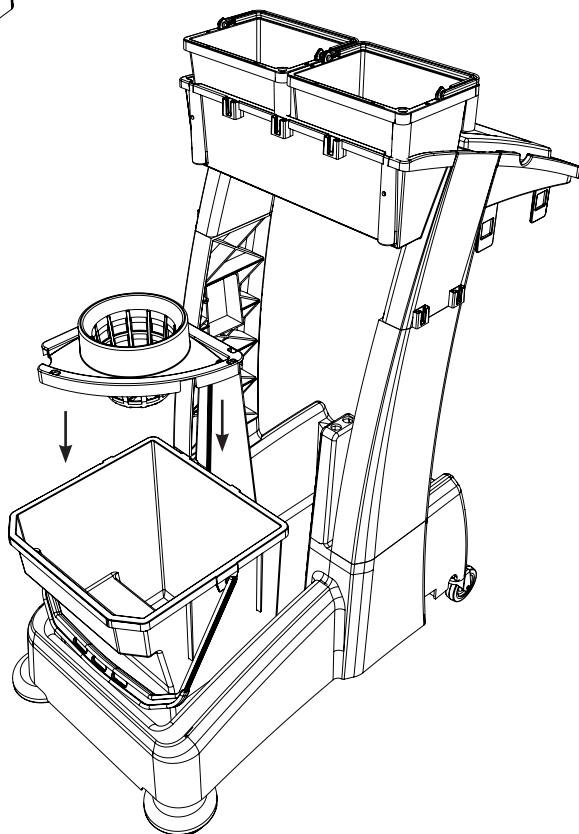
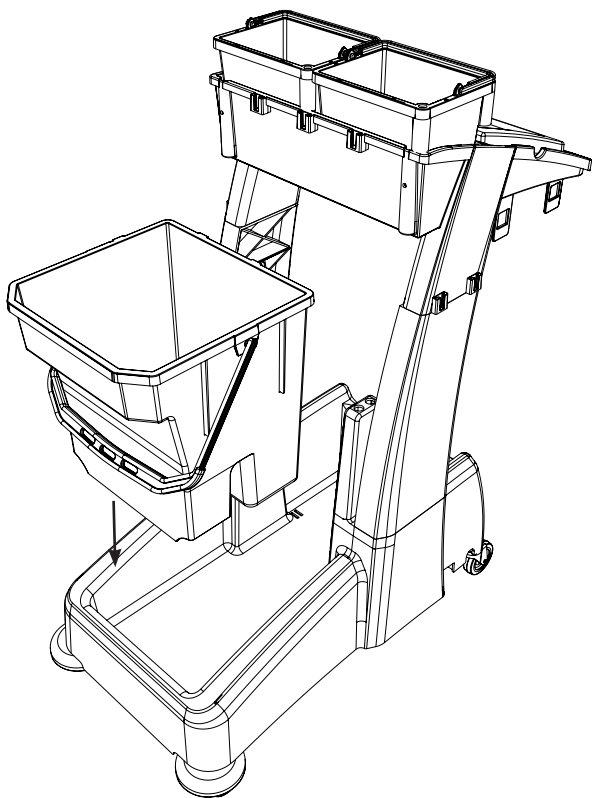


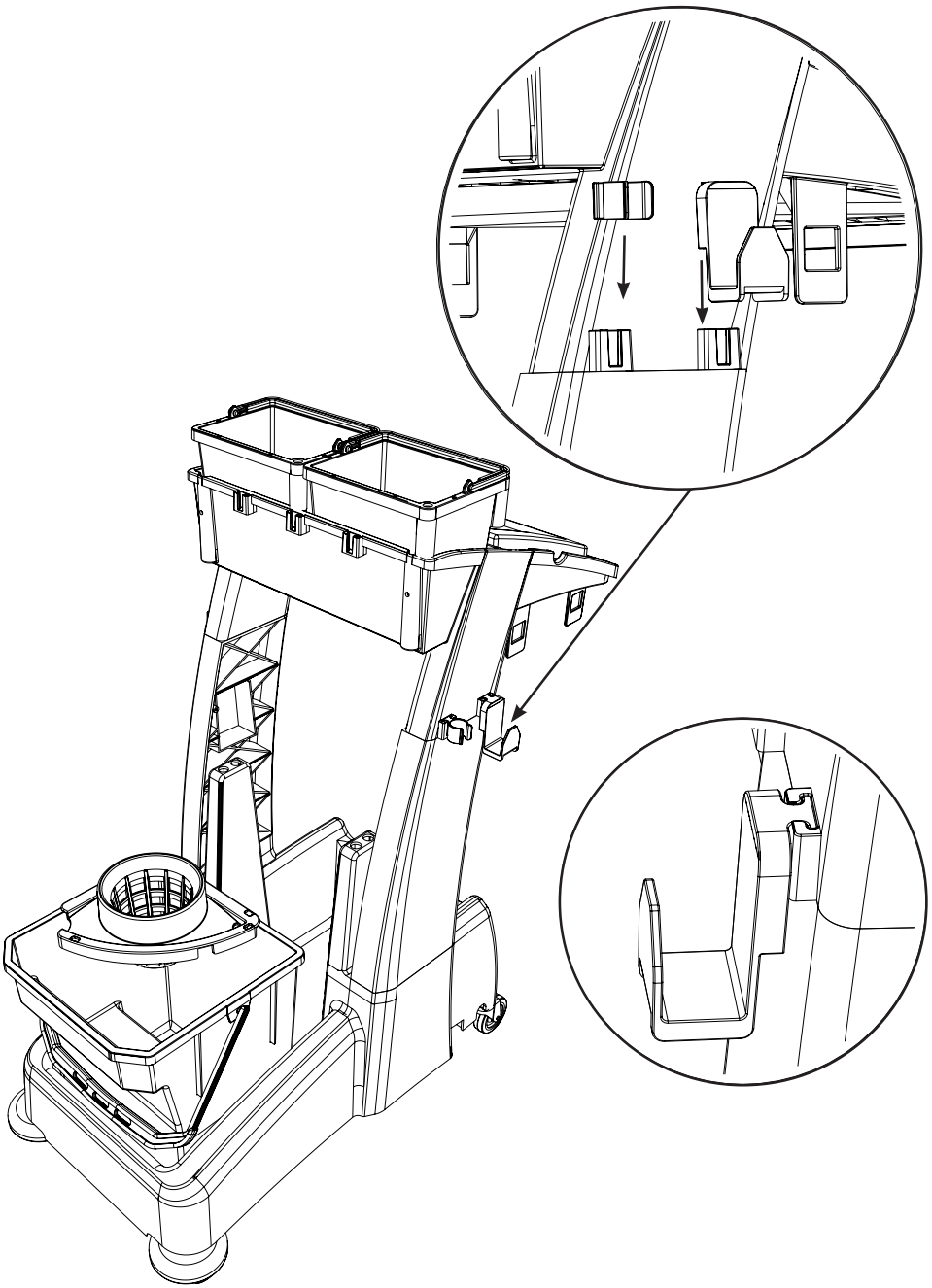
x2











Numatic

914821 MM-1 Trolley Assembly Instructions A03 07/2022